

PLUS ALIMA

Anterior Cervical Discectomy Fusion
Cervical PEEK Spacer System



ASAM

Health is wealth. Leave it to us.

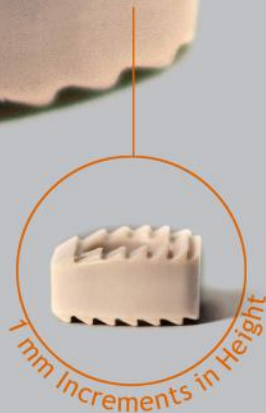
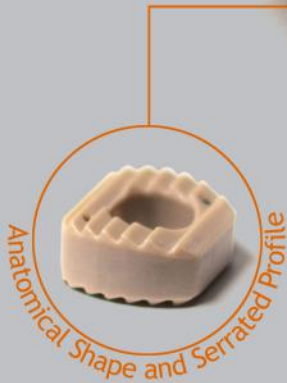
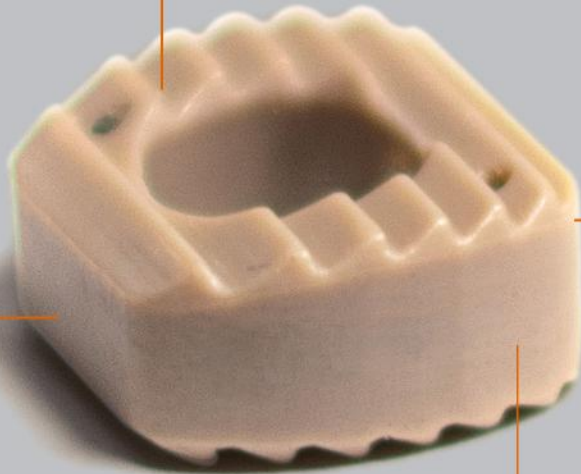
Introduction

The material used is biocompatible PEEK, PEEK stands for 10993-1, Polyether Ether Ketone. PEEK polymer complies with ISO USP Class VI and ASTM F2026 for use as a medical implant material. The use of PEEK as an orthopedic device material enjoys increased popularity in recent years due to the material's unique combination of characteristics. It's properties include radiolucency, high mechanical strength, biocompatibility and compatibility with standard sterilization methods.

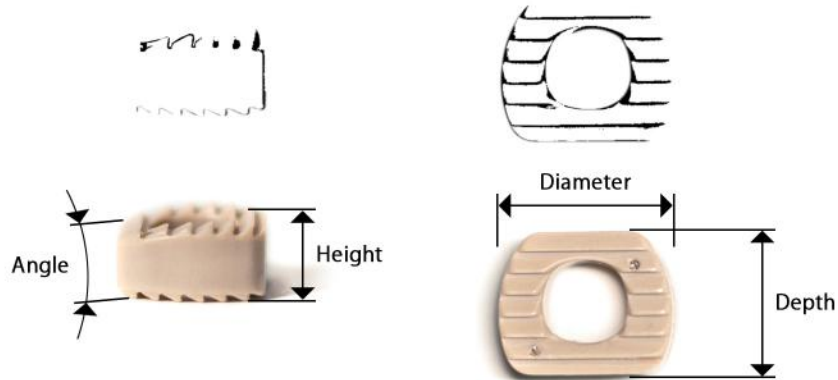
The intrinsic radioscopic transparency of the material provides permeability on X-rays and CT scans, allowing to visualize bone growth adjacent to the implant. This allows quick and simple assessment of the bone structure and progress towards bone fusion.

Features

- ▶ Anatomical shape and serrated profile for an exact implant fit and high primary stability
- ▶ Optimized ratio between contact area and opening
- ▶ Option of filling with bone or bone substitute to enhance bone bridging
- ▶ Adequate range of sizes providing the right implant to fit the patient




ALIMA PEEK Cage-ordering information



Ref No.	Height	Diameter	Depth
10-141104	4	14	11.5
10-141105	5	14	11.5
10-141106	6	14	11.5
10-141107	7	14	11.5
10-141108	8	14	11.5
10-141109	9	14	11.5
10-161304	4	16	13.5
10-161305	5	16	13.5
10-161306	6	16	13.5
10-161307	7	16	13.5
10-161308	8	16	13.5
10-161309	9	16	13.5

Please visit [www. asammedical.com](http://www.asammedical.com) for full information on indications for use, contraindications, warnings, precautions, adverse reactions and sterilization.



 No. 104, Between 5 & 7th Talash
St, Kashmar Industrial Estate, Kashmar,
Khorasan Razavi Province, IRAN

www.asammedical.com
info@asammedical.com
Document No: ASM-PC-QA-001
Date: 2023.01.07